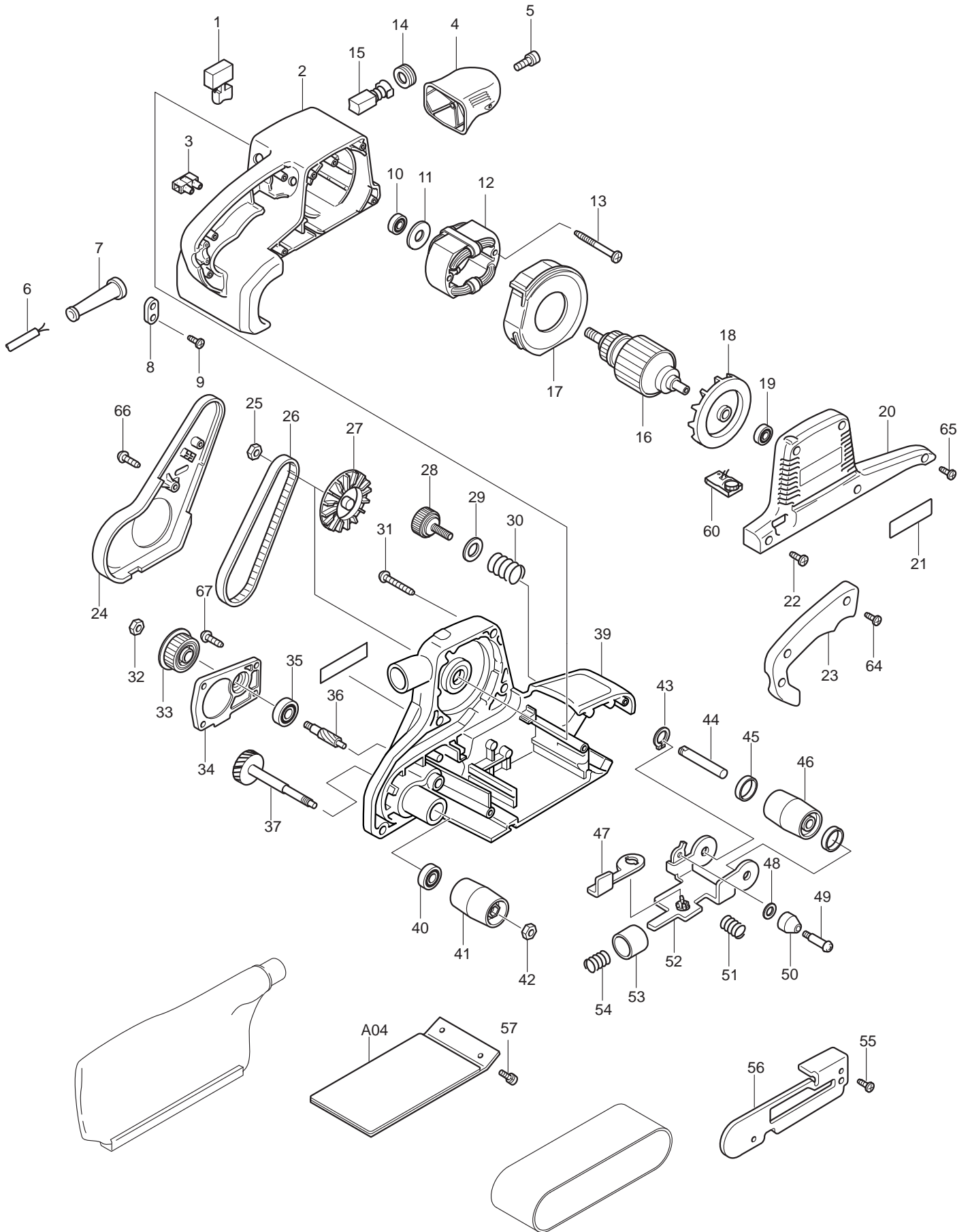




02 - 2010

9920

3X24" BELT SANDER V.S.



Item No	Type	Ref	Part No	Description	Qty	Unit
1			651284-9	SWITCH SGEL115CDY-6	1	PC.
2			151743-8	MOTOR HOUSING COMPLETE	1	PC.
		INC.	643708-9	BRUSH HOLDER 5-11	2	PC.
3			654532-5	TERMINAL BLOCK 1P	1	PC.
4			417049-7	FRONT GRIP	1	PC.
5			266173-1	TAPPING SCREW 5X30	1	PC.
6			660023-6	CORD W/PLUG 2P-18-5.0M, SJ	1	PC.
7			682503-2	CORD GUARD 8-90	1	PC.
8			687063-9	CORD CLAMP	1	PC.
9			265995-6	TAPPING SCREW 4X18	2	PC.
10			211088-7	BALL BEARING 6000DDW	1	PC.
11			681649-1	INSULATION WASHER	1	PC.
12			523401-0	FIELD ASS'Y 115V	1	PC.
		INC.	654020-2	RING TERMINAL	2	PC.
		INC.	654502-4	CONNECTOR P-2	2	PC.
13			266056-5	TAPPING SCREW 5X45	2	PC.
14			643750-0	BRUSH HOLDER CAP	2	PC.
15	1		191963-2	CARBON BRUSH CB-303 2PC/SET (W/O ORIGIN) -N/L/A	1	SET
	2		194996-6	CARBON BRUSH CB-303 2PC/SET (W/ ORIGIN)	1	SET
16			513336-3	ARMATURE ASS'Y 115V	1	PC.
		INC.		INC. 10,11,18,19		
17			417050-2	BAFFLE PLATE	1	PC.
18			240026-2	FAN 75	1	PC.
19			210023-2	BALL BEARING 627DDW	1	PC.
20			417048-9	MOTOR COVER	1	PC.
21			819001-5	MAKITA LABEL	1	PC.
22			265995-6	TAPPING SCREW 4X18	4	PC.
23			417051-0	HANDLE COVER	1	PC.
24			417052-8	BELT COVER	1	PC.
25			252153-3	HEX. NUT M6-10	1	PC.
26			225084-9	SYNCHRO BELT 6-330	1	PC.
27			241663-5	FAN 76 (Includes Pulley - Part No. N/A)	1	PC.
28			251815-0	SCREW M6X25	1	PC.
29			253707-9	FLAT WASHER 16	1	PC.
30			231225-7	COMPRESSION SPRING 16	1	PC.
31			266050-7	TAPPING SCREW 4X30	5	PC.
32			931402-8	HEX. NUT M8	1	PC.
33			222156-1	PULLEY 9.5-46.0	1	PC.
34			317273-1	GEAR COVER	1	PC.
35			211092-6	BALL BEARING 629DDW (OLD# 210078-7 - N/L/A)	1	PC.
36			226520-8	HELICAL GEAR 10	1	PC.
37			151755-1	HELICAL GEAR 39 COMPLETE	1	PC.
38			852053-3	NAME PLATE F/9920	1	PC.
		INC.	226519-3	HELICAL GEAR 39	1	PC.
39			151747-0	FRAME COMPLETE	1	PC.
		INC.	212043-2	NEEDLE BEARING 810	1	PC.
		INC.	214101-0	PLANE BEARING 12 (OLD# 214116-7)	1	PC.
		INC.	344828-9	PLATE	1	PC.
40			211088-7	BALL BEARING 6000DDW	1	PC.
41			162217-4	DRIVING ROLLER	1	PC.
42			252154-1	HEX. NUT M8-13	1	PC.
43			961052-5	RETAINING RING S-12	1	PC.

Item No	Type	Ref	Part No	Description	Qty	Unit
44			323931-9	TENSION ROLLER SHAFT	1	PC.
45			253922-5	CUP WASHER 12	2	PC.
46			151753-5	TENSION ROLLER COMPLETE	1	PC.
		INC.	214116-7	PLANE BEARING 12	2	PC.
		INC.	413012-8	SPONGE SHEET 30-47	1	PC.
47			344823-9	LEVER	1	PC.
48			267731-6	CUP WASHER 4	1	PC.
49			265059-6	SHOULDER SCREW M4	1	PC.
50			416417-1	ROLLER	1	PC.
51			233249-9	COMPRESSION SPRING 7	1	PC.
52			151744-6	TENSION ROLLER ARM COMPLETE	1	PC.
53			267746-3	CUP WASHER 17	1	PC.
54			233250-4	COMPRESSION SPRING 12	1	PC.
55			266034-5	TAPPING SCREW CT 4X16	2	PC.
56			344822-1	SAFETY COVER	1	PC.
57			911116-5	PAN HEAD SCREW M4X12	2	PC.
60			631379-4	CONTROLLER	1	PC.
64			265995-6	TAPPING SCREW 4X18	3	PC.
65			266034-5	TAPPING SCREW CT 4X16	1	PC.
66			266034-5	TAPPING SCREW CT 4X16	1	PC.
67			266034-5	TAPPING SCREW CT 4X16	4	PC.
100			344848-3	STRAP WASHER	1	PC.

ACCESSORIES

- See Catalogue or visit www.makita.ca for other optional accessories -

A01			122591-2	DUST BAG ASS'Y	1	PC.
		INC.	410602-8	FASTENER	1	PC.
A02			742312-8C	3X34" ABRASIVE BELT NAXB80 GRIT, 10PC/SET	1	PC.
A03			423313-6	CORK RUBBER PLATE - BUKE	1	PC.
A04			423316-0	CARBON PLATE - BULK	1	PC.
A05			193055-3	BELT SANDER STAND SET	1	PC.
A06			193071-5	STANDING SHOE SET	1	PC.